

IFConneX RELEASE ENGINE

IFConneX RELEASE ENGINE

ARE YOU MISSING ACCESS TO APPROVED CAD DRAWINGS AND CAD MODEL DATA IN YOUR ERP-SYSTEM?

- Colleagues from different departments require access to CAD drawings and CAD models. If this data is saved in PTC Windchill® PDMLink® then it has to be also accessible via the ERP application.
- If interchange formats are requested by other departments, then the designer is distracted and any kind of disruption wastes some of his valuable working time.

DO YOU SPEND A LOT OF TIME WITH MANUAL DATA MAINTENANCE AND DATA TRANSFER AND DOES THIS LEAD TO MISTAKES?

- In order to enter the reviewer and approval date, it is necessary to open the CAD drawing again and change it. This brings with it the risk that unwanted changes are made.
- Linking approved neutral formats with the relevant documents in SAP® does not happen automatically, but has to be created manually.
- Changes to SAP data have to be harmonized manually on linked PTC Windchill data.

DO YOU AIM TO HAVE INTER-DIVISIONAL RELIABLE AND CLEAR ACCESS TO APPROVED DESIGN DOCUMENTS?

- Approved drawings and CAD models have to be saved fully automatic without manual intervention in such a way that they can be visualized directly from the ERP system using the article master.
- If interchange formats are required, then these have to be accessible without the assistance of the designer.
- For this purpose, it has to be made sure that only approved versions can be accessed and that only clear versions are made available both during visualization as well as when sending CAD data.
- On the other hand, a designer has to be informed if an important article status has been changed in the ERP system, e.g. if a part is no longer available. In this case, you should immediately see in the PDM system that this part can no longer be used.

WITH IFCONNEX RELEASE ENGINE, YOU AUTOMATE THE APPROVAL AND CREATION OF NEUTRAL FORMATS AND SYNCHRONIZE THE DOCUMENT VERSION WITH THE ARTICLE MASTER

- The Release Engine ensures that neutral formats of approved CAD drawings are updated in the document record of the ERP system and correspond to the approved drawing. This all allows the ERP user reliable access to the correct versions of the approved design documents.
- If necessary, interchange formats can be provided to the ERP user either upon request or fully automatic in advance.
- If the status of an article changes in such a way that e.g. the use of a part is no longer desired, then the Release Engine can be used to set the lifecycle of the relevant PTC Windchill part or CAD model in PTC Windchill® in such a way that the designer is able to realize this early on. This saves valuable designer time.
- Furthermore, the Release Engine has a number generator which can be used independently of the system to assign article and document numbers.

WITH IFCONNEX RELEASE ENGINE, YOU SAVE YOUR DESIGNER'S VALUABLE WORKING TIME AND ENSURE COMPANY-WIDE ACCESS TO DESIGN DOCUMENTS

- Avoid manual workload by automating the output process after approval.
- Free your designers from having to hand out drawings and allow them to focus on their actual task of product development.
- Avoid sources of error due to manual interference.

TECHNICAL INFORMATION

IFConneXRELEASEENGINE

FUNCTIONALITY OF THE RELEASE ENGINE

- A job is created when accessing the Release Engine and the following steps are carried out:
 - Check out relevant CAD models and CAD drawings in a temporary workspace.
 - If necessary update the parameters in the drawing header.
 - Generate the required neutral formats.
 - Save neutral formats
 - on a network drive
 - or in a document archive
 - for SAP®: Check into the document folder (KPRO) by SAP®
 - for PTC Windchill®: Upload as "secondary content" of the CAD document in PTC Windchill®.

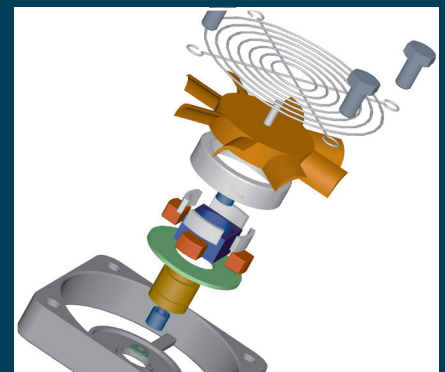
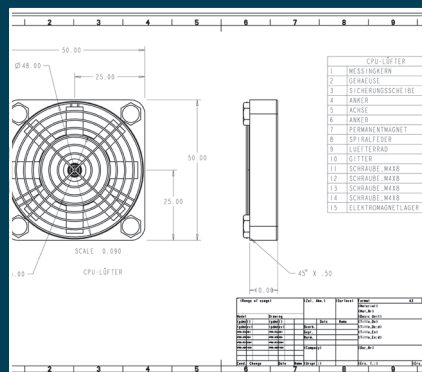
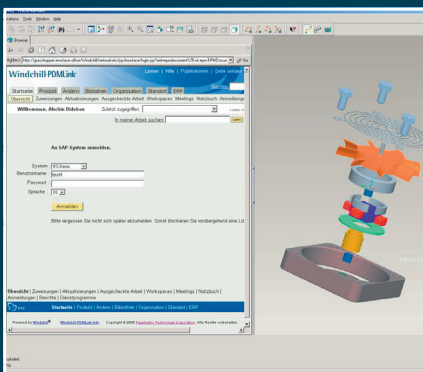
TRANSMIT CHANGES TO ERP OBJECTS TO PTC WINDCHILL®

- With IFConneX Release Engine, changes to field or status of ERP objects such as article master and document can be harmonized with PTC Windchill®.
- On the event of a status change or save of a change to an article master in the ERP system, a job is generated in IFConneX Release Engine.
- The corresponding object is searched for and changed accordingly in PTC Windchill®.

MODULES

- Basis-Module (IFRE_BAS):
 - Web server with job management
 - Email delivery
 - Administration of services
 - User administration
- Module number generator (IFRE_NG):
 - Access from PTC Windchill® or PTC Creo® Parametric™
 - Access from other applications
 - Interactive access with own interface
 - Automatic renaming WTPart, EPMDocument, WTDocument
 - Set-up of several number ranges
 - Automatic selection of the number ranges, context related or controlled by other parameters
 - Patching a classification is possible
 - Adjustable increment
 - Parallel access by several users
 - Sequential processing of queries to ensure clear number allocation
 - Traceability with logfiles
- SAP module (IFRE_SAP):
 - Access to SAP®
 - Document functions
 - Material master functions
 - Search functions
- ERP information service module (IFRE_SIS):
 - Job creation triggered by ERP events such as
 - Status change document
 - Status change article master
 - Saving document
 - Saving article master

- PTC Windchill® PDMLink module (IFRE_PDMS):
 - Automatic access to PTC Windchill® PDM-Link® with the following functions
 - Object search
 - Check out as saved
 - Check out as latest iteration
 - Increase life cycle
 - Lower life cycle
 - Create WTPart
 - Create change notice
 - Further functions available upon request.
- PTC Creo® Parametric™ 2D module (IFRE_2D):
 - Open drawings in PTC Creo® Parametric™
 - Read or write the parameters
 - Convert the drawings to TIFF, PDF, HPGL
 - Stamping of PDF-formats
 - Stamping of TIFF-formats
- PTC Creo® Parametric™ 3D module (IFRE_3D):
 - Open CAD models in PTC Creo® Parametric™
 - Convert formats such as STL, 3D-PDF and JT (JT only with additional converter)
- Export module (IFRE_EXP):
 - Convert in 2D exchange format such as DXF, IGES, DWG
 - Convert in 3D exchange format such as IGES, STEP



TECHNICAL INFORMATION

IFConneX RELEASE ENGINE

REQUIREMENTS

- PTC Windchill® as of version 10.1
- PTC Creo® Parametric™ as of version 2.0
- Windows according to PTC requirements for PTC Creo® Parametric™

HARDWARE REQUIREMENTS

The hardware has to meet the requirements of a PTC Creo® Parametric workstation with which even large CAD drawings and CAD models can be opened and converted in an acceptable time frame.

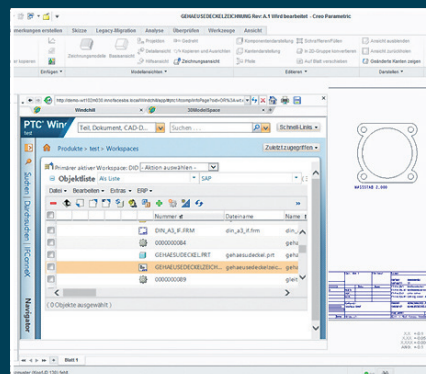
SCALABILITY / SEVERAL LOCATIONS

If necessary, further instances of IFConneX Release Engine can be operated to speed up the system. The jobs are distributed according to adjustable criteria. If several locations are used, it may be necessary to provide one Release Engine per location due to limited bandwidth.

ID	Fortgabefrang	TKKDESC
3208	2016-04-20 12:05:25	TKKDESC
3202	2016-04-20 12:05:25	TKKDESC
3206	2016-04-20 12:05:24	TKKDESC
3205	2016-04-20 12:05:24	TKKDESC
3204	2016-04-20 12:05:24	TKKDESC
3203	2016-04-20 12:05:24	TKKDESC
3202	2016-04-20 12:05:23	TKKDESC
3201	2016-04-20 12:05:23	TKKDESC
3200	2016-04-20 12:05:23	TKKDESC
3228	2016-04-20 12:05:23	TKKDESC
3228	2016-04-20 12:05:52	TKKDESC
3222	2016-04-20 12:04:52	TKKDESC
3226	2016-04-20 12:04:52	TKKDESC
3225	2016-04-20 12:04:52	TKKDESC
3224	2016-04-20 12:04:51	TKKDESC
3223	2016-04-20 12:04:51	TKKDESC
3223	2016-04-20 12:04:51	TKKDESC
3222	2016-04-20 12:04:50	TKKDESC
3228	2016-04-20 12:04:50	TKKDESC

Job 3784

Objekt: TKKDESC
 Job: 080DESC
 Prozess: 3
 Gewichtung: C
 Angelegt: 2016-01-25 14:08:46
 Geändert: 2016-04-20 12:05:24
 Namebaun:
 Verarbeitung: TEORISC / FESTACT / RESTORT
 Client: PRODUKT_RE
 Daemon: SIEMENS_RE / SIEMENS_RE
 Ein. User:
 Status: FERTIG
 Ergebnis: OK
 Farbe: 2016-04-20 12:05:24
 Verarbeitungszeit: 12:00
 #Läufe: 1
 Bewertung:
 Neustart:
 Abhängigkeiten
 Vorgänger:



INNOFACEGBH

Steinhäuserstr. 20, 76135 Karlsruhe, Germany
 Tel.: +49 721 6268730, Fax: +49 721 6268733
 sales@innoface.de, www.innoface.de

Enterprise | Application | Integration

Innoface is worldwide one of the leading providers of interfaces that link PTC Windchill® with ERP systems. Our solutions ensure a reliable flow of information between construction and logistics.

PTC® PartnerAdvantage

GOLD